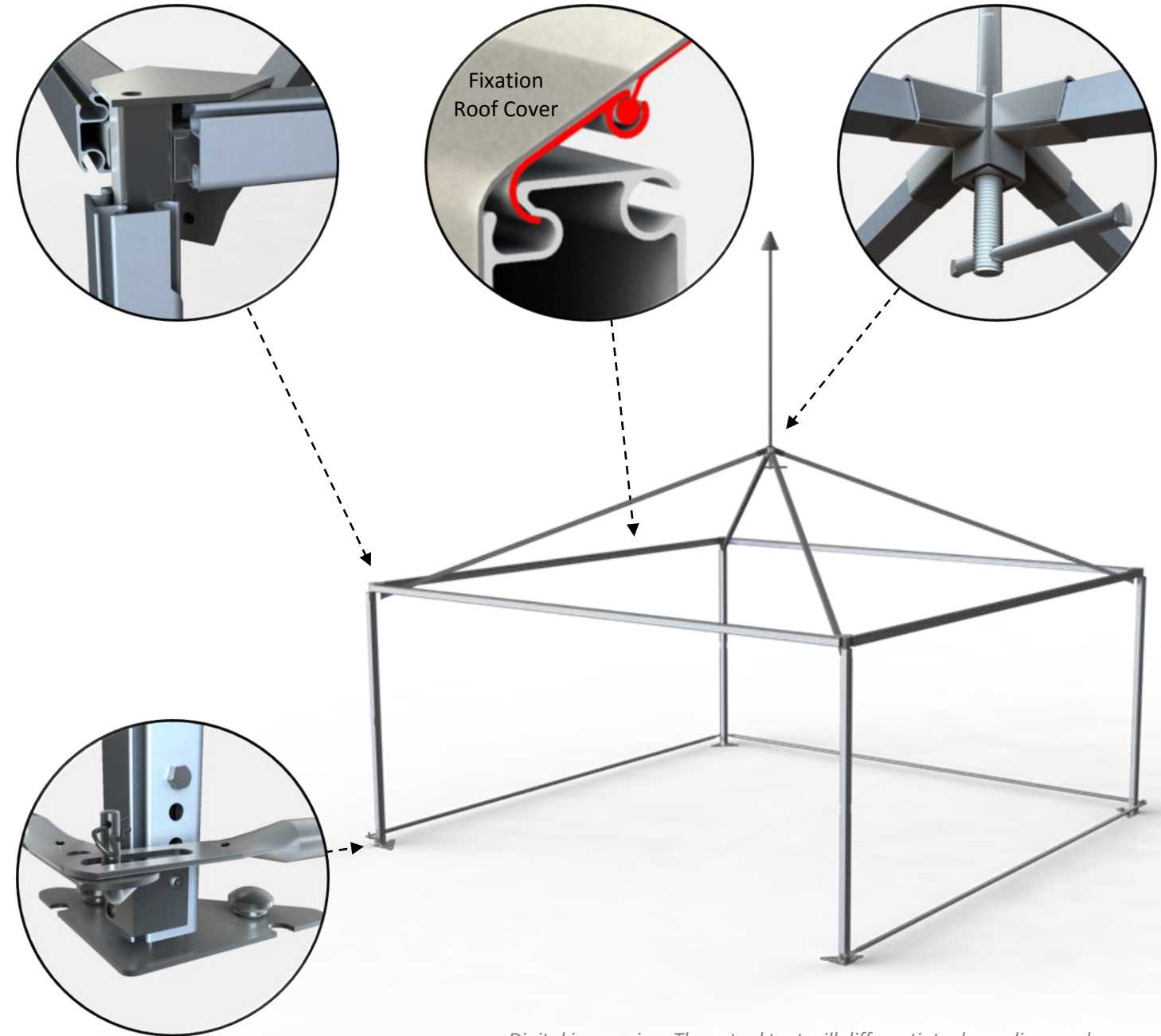
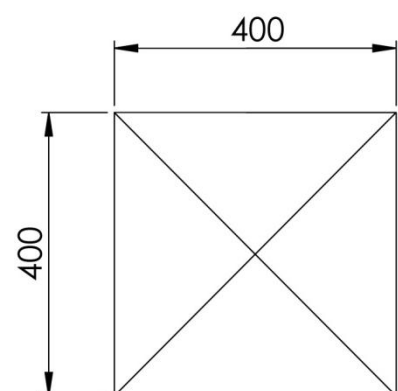
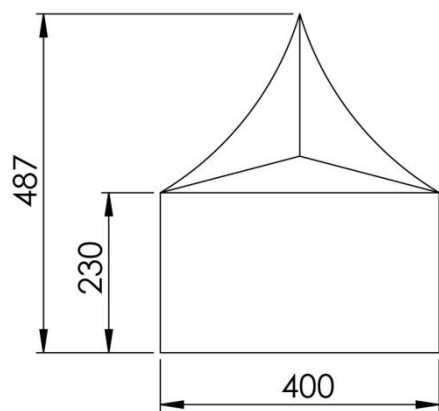


# Pagodatent - ES 64

## 4 x 4m



Digital impression; The actual tent will differentiate depending on chosen options



- ✓ **Fast and easy installation by two persons**
- ✓ **Fast delivery from stock**
- ✓ **Inhouse customisation and design**
- ✓ **Compact transport volume**
- ✓ **Constructed according to NEN-EN 13782**

### || Dimensions

Span width:	4.00 m
Eave high:	2.30 m
Ridge high:	4.87 m
Bay distance:	4.00 m
Roof pitch:	20° (Frame Pitch)
Longest component:	4.10 m
Minimum length:	4.00 m
Maximum length:	Can connect tents together in all directions
Weight (4 x 4m):	Eave high 2.30m: ~ 170 KG
Transport volume:	4 x 4m: ~ 1.23m <sup>3</sup> (4.1 x 1 x 0.3m)

### || Specifications

Max allowed wind speed:	80 km/h (0.30kN/m <sup>2</sup> )
Main profile:	63/63/2 mm (3 channel)
Connecting type:	Steel (galvanized) inserts
Aluminium type:	European Anodized Aluminium
Snow load:	Not calculated
PVC roof & wall covers:	Translucent 620gr/m <sup>2</sup> or Opaque 750gr/m <sup>2</sup>
	European UV-resistant and flame retardant according to: DIN 4102-B1, M2; BS 5438/7837; USA NFPA701
Included with product:	Statics NEN-EN 13782

### || Options

Roof:	- PVC (Translucent/transparent/colour/custom print)
Wall:	- PVC (Translucent/transparent/colour/custom print)
	- ABS walling (optional: double walls for isolation)
	- Glass walling (different types)
Doors:	- Single door
	- Double door
Floor:	- Cassette floor
	- Heavy duty floor